



96 x 96mm

## FEATURES

- 3 CT Sensing
- Intelligent Algorithm which automatically switches between various capacitive bank
- Upto 12 stage
- Configurable Alarm Settings for Voltage / Current / THD
- ModBus - RTU communication

## Display Specifications

Type	: 7 Segment LED
Digits	: 3 lines 3 digits to show electrical parameters
Relay Indications	: 15 LED for parameter & upto 12 LED for Relay status

## Input Specifications

Rated Input Voltage	: 11 to 300V AC (L-N) 50 to 520V AC (L-L)
Rated Input Current	: Nominal SAAC (Min-11mA, Max 6A)
Frequency	: 45 - 65Hz
Burden	: 8 VA max.
Accuracy	: Voltage (L-N / L-L) : $\pm 0.5\%$ of F.S. Current : $\pm 0.5\%$ of F.S. Power Factor : $\pm 1.0\%$ Frequency : $\pm 0.2\%$ Power (Active, Reactive, Apparent) : $\pm 1.0\%$ Energy (Active, Reactive, Apparent) : Class $\pm 1.0\%$
Resolution	: For energy : 0.01k, 0.1k, 1k, 0.01M, 0.1M, 1M (depending Upon CT ratio x PT ratio) For Power, Voltage, Current : Auto Resolution For Power Factor : 0.001, Harmonics 0.1%
Display scrolling	: Automatic / Manual / Default
Memory Retention	: 10 Years (for Energy)
Measuring Parameters	: Voltage (L-L / L-N) (Individual / Average), Current (Individual / Average), Frequency, Power Factor (Individual / Total), Active, Reactive & Apparent Power (Individual / Total), Active, Reactive & Apparent Energy (Total) % THD upto 31 <sup>st</sup> Harmonic for Voltage & Current / Maximum (Rising) Demand, Auxiliary interrupt, Phase Sequence Detection

## Measurement Range

Power Factor	: 0.8 lag - 0.8 lead
Alarm Indications	: Over Voltage, Under Voltage, Over Current, Under Current, OVER Hz, Under Hz, THD% for Amp & Voltage

## Settable Parameters

CT Primary	: 5A to 5000A AC (Programmable for any value)
CT Secondary	: 5A AC (Programmable)
PT Primary	: 100V to 500kV AC (Programmable for any value)
PT Secondary	: 100V - 500V AC (Programmable for any value)

## Output Specifications

Output Contacts	: NO, One common point Max fuse 6A
Steps	: 1 upto 12 steps
Relay Contact	: 5A @ 250V AC (SPST)

## Communication

Communication Interface	: RS485 & Modbus RTU
-------------------------	----------------------

## Auxiliary Supply Specifications

Input voltage range	: 90 - 550VAC
Consumption	: 15VA max
Frequency	: 50-60 Hz

## Control Specifications

Target PF	: 0.8 lag - 0.8 lead
Switching program	: Auto / Manual
Control Sensitivity	: 5% to 100%
Step Time	: 1 to 999 sec
Control Mode	: Automatic / Manual
Auto initialization	: Yes / No

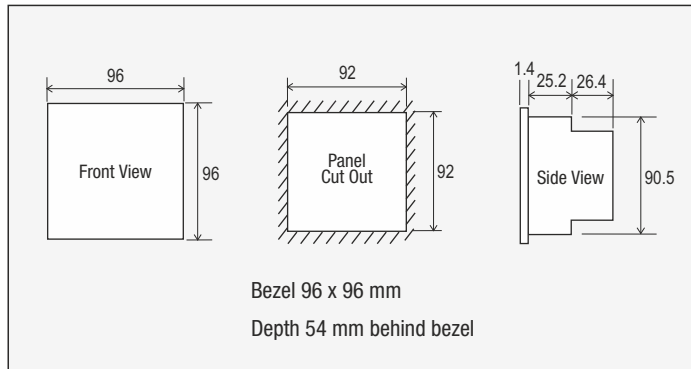
## Environmental Specifications

Temperature	: Operating Temperature : 0° to 60°C Storage Temperature : -20° to 60°C
Humidity	: Upto 95% RH without moisture consideration

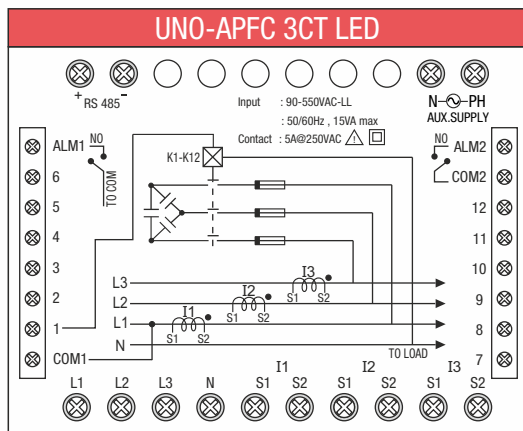
## Mechanical Specifications

Mounting	: Panel Mount
Size	: 96X96mm
Weight	: 350gms (approx)
Screw Tightening Torque	: 0.5 NM

## Mechanical Specifications



## Connection Diagram



## Ordering Information

PRODUCT NAME	DESCRIPTIONS
APFC UNO-6R	APFC UNO 6 RELAY
APFC UNO-8R	APFC UNO 8 RELAY
APFC UNO-12R	APFC UNO 12 RELAY
APFC UNO-6R-ENERGY	APFC UNO 6 RELAY ENERGY
APFC UNO-8R-ENERGY	APFC UNO 8 RELAY ENERGY
APFC UNO-12R-ENERGY	APFC UNO 12 RELAY ENERGY
APFC UNO-6R-RS	APFC UNO 6 RELAY RS485
APFC UNO-8R-RS	APFC UNO 8 RELAY RS485
APFC UNO-12R-RS	APFC UNO 12 RELAY Rs485
APFC UNO-6R-ENERGY-RS	APFC UNO 6 RELAY ENERGY RS485
APFC UNO-8R-ENERGY-RS	APFC UNO 8 RELAY ENERGY RS485
APFC UNO-12R-ENERGY-RS	APFC UNO 12 RELAY ENERGY Rs485

**6 Relay- 1 Alarm Output Std**

**8 Relay & 12 Relay- 2 Alarm Output Std**